

## STUBBY COMBINATION WRENCH SETS



30367

### 30367

#### 7Pc SAE Stubby Combination Wrench Set

Shelf 1

3/8, 7/16, 1/2, 9/16, 5/8, 11/16, 3/4" (comes on rack)

### 30377

#### 7Pc Metric Stubby Combination Wrench Set (not shown)

Shelf 1

10, 11, 12, 13, 14, 17, 19mm (comes on rack)

## STUBBY COMBINATION WRENCHES

Our Stubby Combination Wrenches are great for use in small areas where the regular wrenches are too long to fit.

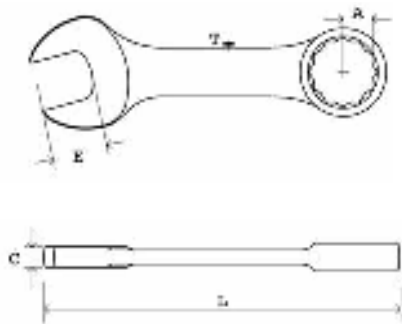
- Made of drop forged chrome vanadium
- Nickel-chrome plated for resistance to corrosion
- Special "surface-drive" corners box end
- Chamfered box end openings and open end tip openings to allow easier placement onto fasteners.



## STUBBY COMBINATION WRENCHES

### SAE STUBBY COMBINATION WRENCHES

Product #	Description	A	C	E	T	L	Shelf
30305	3/8"	6.5	5.0	11.0	3.2	94.0	10
30306	7/16"	7.1	5.4	12.1	3.5	102.0	10
30307	1/2"	7.6	5.7	13.2	3.7	105.0	10
30308	9/16"	8.3	6.0	14.3	3.8	107.0	10
30309	5/8"	8.9	6.4	15.4	4.2	114.0	5
30310	11/16"	10.5	7.4	18.7	4.9	126.0	5
30311	3/4"	11.5	8.4	20.9	5.4	138.0	5



### METRIC STUBBY COMBINATION WRENCHES

Product #	Description	A	C	E	T	L	Shelf
30330	10mm	6.5	5.0	11.0	3.2	94.0	10
30331	11mm	7.1	5.4	12.1	3.5	102.0	10
30332	12mm	7.6	5.7	13.2	3.7	105.0	10
30333	13mm	8.3	6.0	14.3	3.8	107.0	10
30334	14mm	8.9	6.4	15.4	4.2	114.0	5
30336	16mm	10.0	7.0	17.6	4.6	118.6	5
30337	17mm	10.5	7.4	18.7	4.9	126.0	5
30338	18mm	11.0	7.9	19.8	5.1	136.9	5
30339	19mm	11.5	8.4	20.9	5.4	138.0	5