



COMBINATION WRENCH SETS

PRODUCT CENTRES

SOCKETS

IMPACTS

WRENCHES

GEAR WRENCHES

OTHER WRENCHES

SCREWDRIVERS

PLIERS

STRIKING TOOLS

TAPE MEASURES

TRADE ACCESSORIES

NOCA DEBURRING TOOLS



30626

30605

5Pc SAE Combination Wrench Set *(not shown)*

Shelf 1

3/8, 7/16, 1/2, 9/16, 5/8" *(comes in pouch)*

30606

6Pc SAE Combination Wrench Set *(not shown)*

Shelf 1

5/16, 3/8, 7/16, 1/2, 9/16, 5/8" *(comes in pouch)*

30626

6Pc SAE Combination Wrench Set

Shelf 1

5/16, 3/8, 7/16, 1/2, 9/16, 5/8" *(comes on rack)*

30607

7Pc SAE Combination Wrench Set

Shelf 1

1/4, 5/16, 3/8, 7/16, 1/2, 9/16, 5/8" *(comes in pouch)*

30707

7Pc Metric Combination Wrench Set *(not shown)*

Shelf 1

7, 8, 9, 10, 11, 12, 13mm *(comes in pouch)*



30607

30609

9Pc SAE Combination Wrench Set *(not shown)*

Shelf 1

1/4, 5/16, 3/8, 7/16, 1/2, 9/16, 5/8, 11/16, 3/4" *(comes in pouch)*

30629

9Pc SAE Combination Wrench Set

Shelf 1

1/4, 5/16, 3/8, 7/16, 1/2, 9/16, 5/8, 11/16, 3/4" *(comes on rack)*

30709

9Pc Metric Combination Wrench Set *(not shown)*

Shelf 1

8, 9, 10, 11, 12, 13, 14, 17, 19mm *(comes in pouch)*

30729

9Pc Metric Combination Wrench Set *(not shown)*

Shelf 1

8, 9, 10, 11, 12, 13, 14, 17, 19mm *(comes on rack)*



30629

COMBINATION WRENCH SETS



30711

30611

11Pc SAE Combination Wrench Set (not shown) Shelf 1

1/4, 5/16, 3/8, 7/16, 1/2, 9/16, 5/8, 11/16, 3/4, 13/16, 7/8" (comes in pouch)

30612

11Pc SAE Combination Wrench Set (not shown) Shelf 1

3/8, 7/16, 1/2, 9/16, 5/8, 11/16, 3/4, 13/16, 7/8, 15/16, 1" (comes in pouch)

30621

11Pc SAE Combination Wrench Set (not shown) Shelf 1

1/4, 5/16, 3/8, 7/16, 1/2, 9/16, 5/8, 11/16, 3/4, 13/16, 7/8" (comes on rack)

30711

11Pc Metric Combination Wrench Set Shelf 1

8, 9, 10, 11, 12, 13, 14, 15, 17, 19, 22mm (comes on rack)

30712

11Pc Metric Combination Wrench Set (not shown) Shelf 1

8, 9, 10, 11, 12, 13, 14, 15, 17, 19, 22mm (comes in pouch)

SIGNET WRENCHES

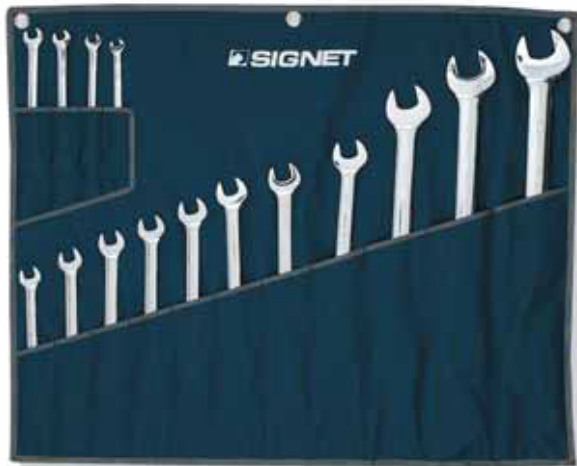
- Made of drop forged chrome vanadium
- Nickel-chrome plated for resistance to corrosion
- Long length to offer maximum torque
- Special "surface-drive" corners box end
- Chamfered box end openings and open end tip openings to allow easier placement onto fasteners.



30614

14Pc SAE Combination Wrench Set Shelf 1

3/8, 7/16, 1/2, 9/16, 5/8, 11/16, 3/4, 13/16, 7/8, 15/16, 1, 1-1/16, 1-1/8, 1-1/4" (comes in pouch)



30715

15Pc Metric Combination Wrench Set Shelf 1

6, 7, 8, 9, 10, 11, 12, 13, 14, 15, 17, 18, 19, 21, 22mm (comes in pouch)



SAE COMBINATION WRENCHES

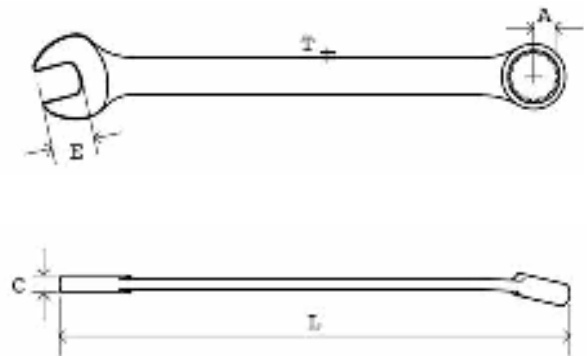
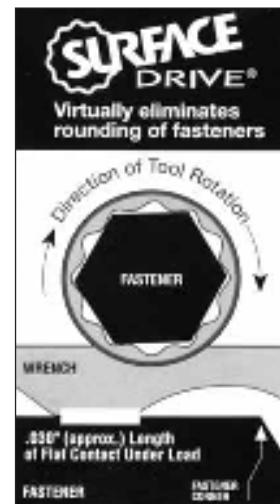


SAE COMBINATION WRENCHES

Product #	Description	A	C	E	T	L	Shelf
30098	11/32"	8.8	4.3	9.9	3.0	144.9	10
30101	1/4"	5.0	3.9	3.6	2.6	127.4	10
30102	5/16"	5.5	4.3	3.8	2.8	140.1	10
30103	3/8"	6.5	5.1	10.0	3.2	159.1	10
30104	7/16"	7.1	5.4	12.1	3.5	165.5	10
30105	1/2"	8.3	6.0	14.3	3.8	178.2	10
30106	9/16"	8.9	6.4	15.4	4.2	190.9	10
30107	5/8"	10.0	7.0	17.6	4.6	208.6	10
30108	11/16"	10.5	7.4	18.7	4.9	225.8	10
30109	3/4"	11.5	8.4	20.9	5.4	248.0	10
30110	13/16"	12.5	9.0	23.5	5.7	270.3	10
30111	7/8"	13.0	9.4	24.2	6.3	292.5	10
30112	15/16"	14.0	10.0	26.4	6.6	314.7	10
30113	1"	14.5	10.4	27.5	7.0	334.1	10
30114	1-1/16"	15.5	11.3	29.7	7.5	359.2	10
30115	1-1/8"	17.0	12.0	33.0	8.0	402.5	10
30116	1-1/4"	17.5	12.4	35.2	8.3	425.8	10

METRIC COMBINATION WRENCHES

Product #	Description	A	C	E	T	L	Shelf
30206	6mm	5.0	3.9	6.6	2.6	127.4	10
30207	7mm	5.1	3.9	7.7	2.6	133.7	10
30208	8mm	5.5	4.3	8.8	2.8	140.0	10
30209	9mm	6.0	4.7	9.9	3.0	149.6	10
30210	10mm	6.5	5.1	10.0	3.2	159.1	10
30211	11mm	7.1	5.4	12.1	3.5	165.5	10
30212	12mm	7.6	5.7	13.2	3.7	171.8	10
30213	13mm	8.3	6.0	14.3	3.8	178.2	10
30214	14mm	8.9	6.4	15.4	4.2	190.9	10
30215	15mm	9.4	6.7	16.5	4.4	199.7	10
30216	16mm	10.0	7.0	17.6	4.6	208.6	10
30217	17mm	10.5	7.4	18.7	4.9	225.8	10
30218	18mm	11.0	7.9	19.8	5.1	236.9	10
30219	19mm	11.5	8.4	20.9	5.4	248.0	10
30220	20mm	12.0	8.7	22.0	5.5	264.7	10
30221	21mm	12.5	9.0	23.5	5.7	270.3	10
30222	22mm	13.0	9.4	24.2	6.3	292.5	10
30223	23mm	13.5	9.7	25.3	6.3	303.6	10
30224	24mm	14.0	10.0	26.4	6.6	314.7	10
30225	25mm	14.5	10.4	27.5	7.0	334.1	10
30227	27mm	15.5	11.3	29.7	7.5	359.2	5
30228	28mm	17.0	12.2	31.5	8.2	402.5	5
30230	30mm	17.0	12.0	33.0	8.0	402.5	5
30232	32mm	17.5	12.4	35.2	8.3	425.8	5
30234	34mm	18.9	13.4	36.9	9.1	460.0	5



STUBBY COMBINATION WRENCH SETS



30367

30367

7Pc SAE Stubby Combination Wrench Set

Shelf 1

3/8, 7/16, 1/2, 9/16, 5/8, 11/16, 3/4" (comes on rack)

30377

7Pc Metric Stubby Combination Wrench Set (not shown)

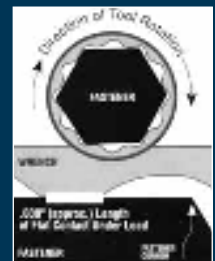
Shelf 1

10, 11, 12, 13, 14, 17, 19mm (comes on rack)

STUBBY COMBINATION WRENCHES

Our Stubby Combination Wrenches are great for use in small areas where the regular wrenches are too long to fit.

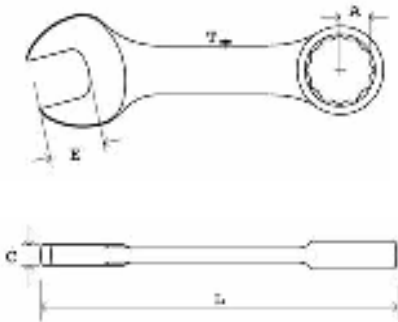
- Made of drop forged chrome vanadium
- Nickel-chrome plated for resistance to corrosion
- Special "surface-drive" corners box end
- Chamfered box end openings and open end tip openings to allow easier placement onto fasteners.



STUBBY COMBINATION WRENCHES

SAE STUBBY COMBINATION WRENCHES

Product #	Description	A	C	E	T	L	Shelf
30305	3/8"	6.5	5.0	11.0	3.2	94.0	10
30306	7/16"	7.1	5.4	12.1	3.5	102.0	10
30307	1/2"	7.6	5.7	13.2	3.7	105.0	10
30308	9/16"	8.3	6.0	14.3	3.8	107.0	10
30309	5/8"	8.9	6.4	15.4	4.2	114.0	5
30310	11/16"	10.5	7.4	18.7	4.9	126.0	5
30311	3/4"	11.5	8.4	20.9	5.4	138.0	5



METRIC STUBBY COMBINATION WRENCHES

Product #	Description	A	C	E	T	L	Shelf
30330	10mm	6.5	5.0	11.0	3.2	94.0	10
30331	11mm	7.1	5.4	12.1	3.5	102.0	10
30332	12mm	7.6	5.7	13.2	3.7	105.0	10
30333	13mm	8.3	6.0	14.3	3.8	107.0	10
30334	14mm	8.9	6.4	15.4	4.2	114.0	5
30336	16mm	10.0	7.0	17.6	4.6	118.6	5
30337	17mm	10.5	7.4	18.7	4.9	126.0	5
30338	18mm	11.0	7.9	19.8	5.1	136.9	5
30339	19mm	11.5	8.4	20.9	5.4	138.0	5



PRODUCT CENTRES

SOCKETS

IMPACTS

WRENCHES

GEAR WRENCHES

OTHER WRENCHES

SCREWDRIVERS

PLIERS

STRIKING TOOLS

TAPE MEASURES

TRADE ACCESSORIES

NOGA DEBURRING TOOLS

RATCHETING BOX END WRENCH SETS

32113

4Pc SAE Straight Ratcheting Box Wrench Set Shelf 1

1/4x5/16, 3/8x7/16, 1/2x9/16, 5/8x11/16"

32128

4Pc SAE Offset Ratcheting Box Wrench Set (not shown) Shelf 1

1/4x5/16, 3/8x7/16, 1/2x9/16, 5/8x11/16"



32238



32113

32218

4Pc Metric Straight Ratcheting Box Wrench Set (not shown) Shelf 1

7x9, 8x10, 11x12, 13x14mm

32238

4Pc Metric Offset Ratcheting Box Wrench Set Shelf 1

7x9, 8x10, 11x12, 13x14mm

RATCHETING BOX END WRENCHES

STRAIGHT SAE RATCHETING BOX WRENCHES

Product #	Description	Head Depth	L	Shelf
32101	1/4x5/16"	8.0	115.0	10
32102	3/8x7/16"	8.0	142.0	10
32103	1/2x9/16"	10.2	175.0	10
32104	5/8x11/16"	11.0	208.0	10
32105	3/4x7/8"	11.0	236.0	10

STRAIGHT METRIC RATCHETING BOX WRENCHES

Product #	Description	Head Depth	L	Shelf
32202	7x9mm	8.0	135.0	10
32204	8x10mm	8.0	135.0	10
32205	11x12mm	10.2	170.0	10
32206	13x14mm	10.2	175.0	10
32207	15x17mm	11.0	208.0	10
32208	16x18mm	11.0	208.0	10
32209	19x21mm	11.0	208.0	10



OFFSET SAE RATCHETING BOX WRENCHES

Product #	Description	Head Depth	L	Shelf
32115	1/4x5/16"	8.0	132.0	10
32116	3/8x7/16"	8.0	140.0	10
32117	1/2x9/16"	10.2	173.0	10
32118	5/8x11/16"	11.0	208.0	10
32119	3/4x7/8"	11.0	230.0	10

OFFSET METRIC RATCHETING BOX WRENCHES

Product #	Description	Head Depth	L	Shelf
32222	7x9mm	8.0	132.0	10
32224	8x10mm	8.0	132.0	10
32225	11x12mm	10.2	170.0	10
32226	13x14mm	10.2	173.3	10
32227	15x17mm	11.0	208.0	10
32228	16x18mm	11.0	208.0	10
32229	19x21mm	11.0	230.0	10

10° OFFSET FLARE NUT WRENCH SETS



33708

33708

3Pc SAE Offset Flare Nut Wrench Set

Shelf 1

3/8x7/16, 1/2x9/16, 5/8x11/16"

33720

4Pc Metric Offset Flare Nut Wrench Set (not shown)

Shelf 1

9x12, 10x12, 13x14, 15x17mm

10° OFFSET FLARE NUT WRENCHES

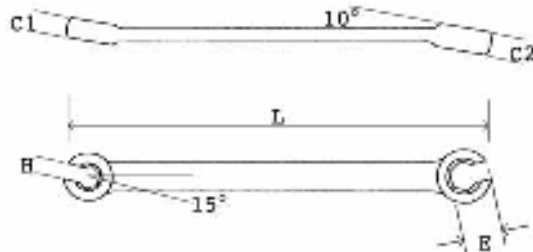
SIGNET Flare Nut Wrenches with a 10° offset are made of drop forged chrome vanadium. The six point open concept allows for a tight and powerful hold on line nut applications. Triple chrome plating prevents rusting and adds that extra strength expected of and provided by SIGNET items.



10° OFFSET FLARE NUT WRENCHES

SAE OFFSET FLARE NUT WRENCHES

Product #	Description	E	H	C2	C1	L	Shelf
33703	3/8 x 7/16"	19.4	11.3	4.8	8.2	152.0	10
33704	1/2 x 9/16"	21.0	12.9	5.2	8.6	166.0	10
33705	5/8 x 11/16"	24.9	14.2	5.5	9.7	178.7	10



METRIC OFFSET FLARE NUT WRENCHES

Product #	Description	E	H	C2	C1	L	Shelf
33713	9 x 11mm	19.4	11.3	4.8	8.2	152.0	10
33714	10 x 12mm	21.0	12.9	5.2	8.6	166.0	10
33715	13 x 14mm	24.9	14.2	5.5	9.7	178.7	10
33716	15 x 17mm	27.5	17.0	6.5	11.1	193.4	10

E TORQUE WRENCHES



E TORQUE WRENCHES

Product #	Description	Head Width 1	Head Width 2	L	Shelf
32150	E6 x E8	4.8	5.8	110	10
32152	E10 x E12	6.8	8.0	140	10
32154	E14 x E18	7.9	9.5	180	10
32156	E20 x E24	11.0	13.0	220	10

