



FLEX HEAD GEAR WRENCH SETS

34787

8Pc SAE Flex Head Gear Wrench Set

Shelf 1

5/16, 3/8, 7/16, 1/2, 9/16, 5/8, 11/16, 3/4"
(comes in zipper case)



Tilts 180° at any interval to reach into tight places.



34740

12Pc Metric Flex Head Gear Wrench Set

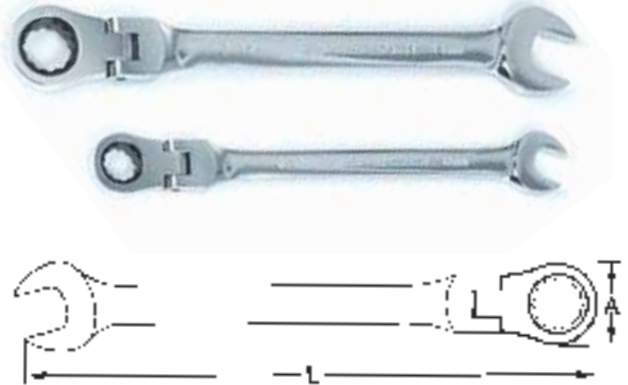
Shelf 1

8, 9, 10, 11, 12, 13, 14, 15, 16, 17, 18, 19mm
(comes in zipper case)

FLEX HEAD GEAR WRENCHES

SAE FLEX HEAD GEAR WRENCHES

Product #	Description	A	L	Shelf
34760	5/16"	16.5	140.0	10
34762	3/8"	19.0	158.0	10
34763	7/16"	20.5	165.0	10
34764	1/2"	21.7	178.0	10
34765	9/16"	23.6	190.0	10
34766	5/8"	28.4	208.0	5
34767	11/16"	30.5	225.0	5
34768	3/4"	32.5	248.0	5
34769	13/16"	39.0	291.0	10
34770	7/8"	39.0	291.0	10
34771	15/16"	45.5	333.0	10
34772	1"	45.5	333.0	10



FLEX HEAD GEAR WRENCHES

With a 180° tilt, this GearWrench® can reach into the tightest places. The continuous tension design allows control over the position of the flex head and the rigid edge determines the fixed direction quickly and easily.



METRIC FLEX HEAD GEAR WRENCHES

Product #	Description	A	L	Shelf
34708	8mm	16.5	140.0	10
34709	9mm	17.0	149.0	10
34710	10mm	19.0	158.0	10
34711	11mm	20.5	165.0	10
34712	12mm	21.7	171.0	10
34713	13mm	23.6	178.0	10
34714	14mm	25.9	190.0	10
34715	15mm	26.7	199.0	5
34716	16mm	28.4	208.0	5
34717	17mm	30.5	235.0	5
34718	18mm	31.5	236.0	5
34719	19mm	32.5	248.0	5

LOCKING FLEX HEAD GEAR WRENCH SETS

38042

12Pc Metric Locking Flex Gear Wrench Set (not shown) Shelf 1

8, 9, 10, 11, 12, 13, 14, 15, 16, 17, 18, 19mm

38093

8Pc SAE Locking Flex Gear Wrench Set Shelf 1

5/16, 3/8, 7/16, 1/2, 9/16, 5/8, 11/16, 3/4"



38093

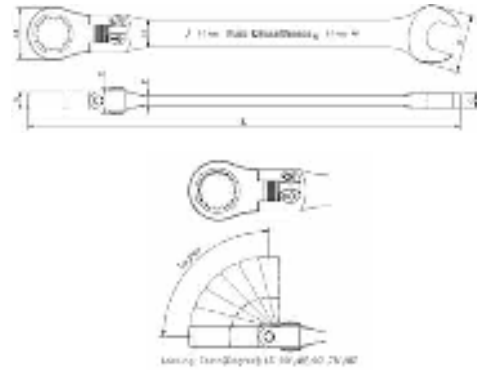


SAE LOCKING FLEX HEAD GEAR WRENCHES

Product #	Description	A	C	E	T	L	Shelf
38052	5/16"	15.9	5.1	9.7	3.5	146.0	10
38054	3/8"	19.1	6.0	10.8	3.5	159.0	10
38055	7/16"	20.6	6.6	11.4	4.0	183.0	10
38056	1/2"	23.6	7.0	12.6	4.5	207.0	10
38057	9/16"	25.9	7.7	13.2	5.0	219.0	10
38058	5/8"	28.7	8.3	14.4	5.5	242.0	10
38059	11/16"	30.5	8.7	14.9	5.5	254.0	10
38060	3/4"	32.5	9.8	16.2	6.0	280.0	10

METRIC LOCKING FLEX HEAD GEAR WRENCHES

Product #	Description	A	C	E	T	L	Shelf
38008	8mm	15.9	5.1	9.7	3.5	146.0	10
38009	9mm	17.5	5.3	9.7	3.5	159.0	10
38010	10mm	19.1	6.0	10.8	4.0	171.0	10
38011	11mm	20.6	6.6	11.4	4.0	183.0	10
38012	12mm	21.7	6.8	12.0	4.5	195.0	10
38013	13mm	23.6	7.0	12.6	4.5	207.0	10
38014	14mm	25.9	7.6	13.2	5.0	219.0	10
38015	15mm	27.2	8.0	13.7	5.0	231.0	10
38016	16mm	28.7	8.3	14.4	5.5	242.0	10
38017	17mm	30.5	8.7	14.9	5.5	254.0	10
38018	18mm	31.5	9.2	15.5	6.0	267.0	10
38019	19mm	32.5	9.8	16.2	6.0	280.0	10



E-TORQUE GEAR WRENCH SET



34374

4 Pc E-Torque Gear Wrench Set Shelf 1

⚙️ E6xE8, E10xE12, E14xE18, E20xE24 (comes in blow mold case)



E-TORQUE GEAR WRENCHES

E-TORQUE GEAR WRENCHES

Product #	Description	A	B	L	Shelf
34351	E6 x E8	16.5	17.0	130.0	10
34353	E10 x E12	18.5	20.0	150.0	10
34355	E14 x E18	25.3	28.4	190.0	10
34357	E20 x E24	30.5	32.5	230.0	10