



PRODUCT CENTRES

SOCKETS

IMPAIRTS

WRENCHES

GEAR WRENCHES

OTHER WRENCHES

SCREWDRIVERS

PLIERS

STRIKING TOOLS

TAPE MEASURES

TRADE ACCESSORIES

NOGA DEBURRING TOOLS

1/4" DRIVE CLIP RAIL SOCKET SETS

11115

10Pc 1/4" Dr. 6pt SAE Shelf 1

5/32, 3/16, 7/32, 1/4, 9/32, 5/16, 11/32, 3/8, 7/16, 1/2"

11335

10Pc 1/4" Dr. 6pt Metric (not shown) Shelf 1

4, 5, 6, 7, 8, 9, 10, 11, 12, 14mm



11115



11431

11231

9Pc 1/4" Dr. 6pt Deep SAE (not shown) Shelf 1

3/16, 7/32, 1/4, 9/32, 5/16, 11/32, 3/8, 7/16, 1/2"

11431

10Pc 1/4" Dr. 6pt Deep Metric Shelf 1

4, 5, 6, 7, 8, 9, 10, 11, 12, 13mm

1/4" DRIVE ACCESSORIES

1/4" DRIVE RATCHETS

Product #	Description	Shelf
11515	1/4" Dr. 72 Tooth Professional Ratchet	5
11532	1/4" Dr. Professional Locking Ratchet	5
11533	1/4" Dr. Locking Ratchet with Dual Injected Handle	5
11534	1/4" Dr. Extra Long Reversible Ratchet 7"(180mm)	5
11561	1/4" Dr. Composite Ratchet	5
11563	1/4" Dr. 72 Tooth L-7 Extreme Ratchet (145mm)	5



11534



11563



11532



11561



EXTREME RATCHET

The new 72 tooth Extreme Ratchet is designed for tight access applications. One hand directional change and quick release features combine with a 5° movement for quick and professional usage. The nickel chromium finish and the dual compound comfort grip allow this incredibly small design the strength and versatility SIGNET customers have come to depend on.

POSITIVE LOCKING RATCHET & ACCESSORIES

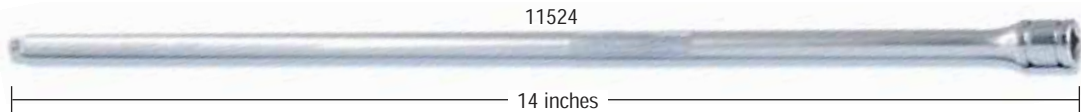
Each tool in the Signet Positive Locking Professional Series has a locking/quick release button. To attach a drive tool, press the locking/quick release button and attach the tool. Each item will lock to the next making a solid link to the final drive tool. The Locking Accessory will hold the tool firmly until the locking/quick release button is again pressed. No more dropped sockets! Our Professional Series Ratchets have a 45 Teeth Count.



1/4" DRIVE ACCESSORIES

1/4" DRIVE ACCESSORIES

Product #	Description	Shelf
11506	1/4" Dr. 3" Extension Bar	10
11507	1/4" Dr. 6" Extension Bar	10
11508	1/4" Dr. 4" Extension Bar	10
11509	1/4" Dr. Universal Joint	10
11510	1/4" Dr. 1/4"F x 3/8"M Adapter	10
11511	1/4" Dr. Flexible Handle	5
11514	1/4" Dr. Extension Spinner Handle	5
11516	1/4" Dr. Bit Adapter	10
11521	1/4" Dr. Renewal Kit/Prof Ratchet	10
11523	1/4" Dr. 10" Extension Bar	10
11524	1/4" Dr. 14" Extension Bar	10
11535	1/4" Dr. 6" Flex Extension Bar	10
11709C	1/4" Dr. Metal Clip	10
11710CR	1/4" Dr. Metal Rail (160mm)	10

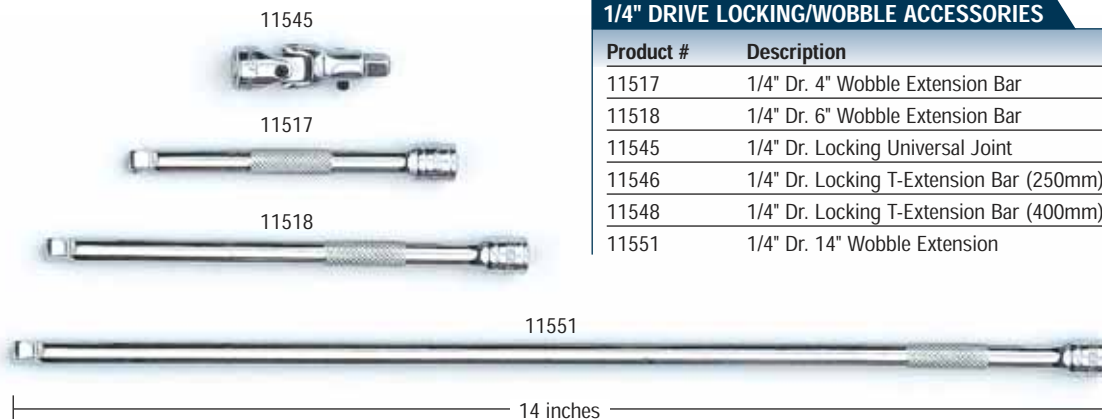


POSITIVE LOCKING RATCHET & ACCESSORIES

Each tool in the Accessory Locking System has a locking/quick release button. To attach a drive tool, press the locking/quick release button and attach the tool. Each item will lock to the next making a solid link to the final drive tool. The Locking Accessory will hold the tool firmly until the locking/quick release button is pressed again. No more dropped sockets!

DUAL POSITION WOBBLE EXTENSION

Our dual position wobble extensions have a unique design for 2-in-1 function. They can be used as a wobble extension in the first position, then snap the extension further into the socket to become a regular extension for maximum speed and strength.

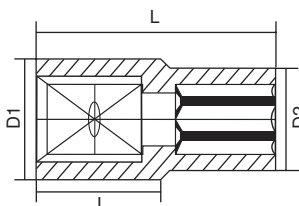


1/4" DRIVE LOCKING/WOBBLE ACCESSORIES

Product #	Description	Shelf
11517	1/4" Dr. 4" Wobble Extension Bar	10
11518	1/4" Dr. 6" Wobble Extension Bar	10
11545	1/4" Dr. Locking Universal Joint	10
11546	1/4" Dr. Locking T-Extension Bar (250mm)	5
11548	1/4" Dr. Locking T-Extension Bar (400mm)	5
11551	1/4" Dr. 14" Wobble Extension	5



1/4" DRIVE OPEN STOCK SOCKETS



1/4" DRIVE 6PT SAE REGULAR SOCKETS

Product #	Description	D2	D1	I	L	Shelf
11100	5/32"	7.0	11.8	8.0	24.5	10
11101	3/16"	7.3	11.8	8.0	24.5	10
11102	7/32"	8.6	11.8	8.0	24.5	10
11103	1/4"	9.2	11.8	9.0	24.5	10
11104	9/32"	10.7	11.8	9.5	24.5	10
11105	5/16"	11.8	11.8	11.0	24.5	10
11106	11/32"	13.1	13.1	12.8	24.5	10
11107	3/8"	14.3	14.3	13.8	24.5	10
11108	7/16"	15.8	15.8	14.0	24.5	10
11109	1/2"	17.9	17.9	14.0	24.5	10

1/4" DRIVE 6PT SAE DEEP SOCKETS

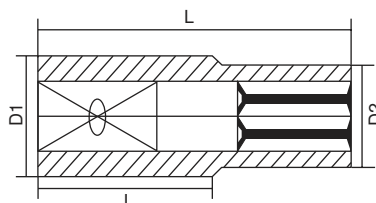
Product #	Description	D2	D1	I	L	Shelf
11201	3/16"	7.8	11.9	11.0	49.0	10
11202	7/32"	8.8	11.9	11.0	49.0	10
11203	1/4"	10.0	11.9	14.0	49.0	10
11204	9/32"	11.9	11.9	20.0	49.0	10
11205	5/16"	11.9	11.9	21.0	49.0	10
11206	11/32"	13.8	13.8	24.0	49.0	10
11207	3/8"	14.6	14.6	26.0	49.0	10
11208	7/16"	15.9	15.9	26.0	49.0	10
11209	1/2"	16.9	16.9	26.0	49.0	10

1/4" DRIVE 6PT METRIC REGULAR SOCKETS

Product #	Description	D2	D1	I	L	Shelf
11303	3mm	6.2	11.8	8.0	24.5	10
11304	4mm	6.7	11.8	8.0	24.5	10
11345	4.5mm	7.3	11.8	8.0	24.5	10
11305	5mm	8.0	11.8	8.0	24.5	10
11355	5.5mm	8.6	11.8	8.0	24.5	10
11306	6mm	9.2	11.8	9.5	24.5	10
11307	7mm	10.7	11.8	10.0	24.5	10
11308	8mm	11.8	11.8	10.5	24.5	10
11309	9mm	13.1	13.1	11.4	24.5	10
11310	10mm	14.3	14.3	13.5	24.5	10
11311	11mm	15.8	15.8	13.5	24.5	10
11312	12mm	16.8	16.8	13.5	24.5	10
11313	13mm	17.9	17.9	13.5	24.5	10
11314	14mm	19.5	19.5	14.5	24.5	10

1/4" DRIVE 6PT METRIC DEEP SOCKETS

Product #	Description	D2	D1	I	L	Shelf
11404	4mm	7.8	11.9	11.0	49.0	10
11405	5mm	9.0	11.9	11.0	49.0	10
11406	6mm	10.0	11.9	15.0	49.0	10
11407	7mm	11.8	11.9	21.0	49.0	10
11408	8mm	11.9	11.9	21.0	49.0	10
11409	9mm	13.1	13.1	24.0	49.0	10
11410	10mm	14.6	14.6	26.0	49.0	10
11411	11mm	15.9	15.9	26.0	49.0	10
11412	12mm	16.9	16.9	26.0	49.0	10
11413	13mm	17.9	17.9	26.0	49.0	10



1/4" DRIVE SPECIALTY SOCKETS



1/4" DRIVE TORQUE BIT SOCKETS

Product #	Description	Bit Length	Overall Length	Shelf
21861	T10	12	37	18
21862	T15	12	37	18
21863	T20	12	37	18
21864	T25	12	37	18
21865	T27	12	37	18
21866	T30	12	37	18

1/4" DRIVE METRIC HEX INSERT BIT SOCKETS

Product #	Description	Bit Length	Overall Length	Shelf
21880	1.5mm	18	37	10
21881	2mm	18	37	10
21882	2.5mm	18	37	10
21883	3mm	18	37	10
21885	5mm	18	37	10
21886	6mm	18	37	10
21888	8mm	18	37	10
21890	10mm	18	37	10
21891	11mm	18	37	10



1/4" DRIVE TAMPER TORQUE BIT SOCKETS

Product #	Description	Bit Length	Overall Length	Shelf
21911	TT10	18	37	12
21912	TT15	18	37	12
21913	TT20	18	37	12
21914	TT25	18	37	12
21915	TT27	18	37	12
21916	TT30	18	37	12

1/4" DRIVE E TORQUE SOCKETS

1/4" DRIVE E TORQUE SOCKETS

Product #	Description	D2	D1	L	Shelf
11150	E4	24.5	7.0	11.8	10
11151	E5	24.5	8.0	11.8	10
11152	E6	24.5	8.0	11.8	10
11153	E7	24.5	9.0	11.8	10
11154	E8	24.5	10.6	11.8	10
11155	E10	24.5	13.0	13.0	10

